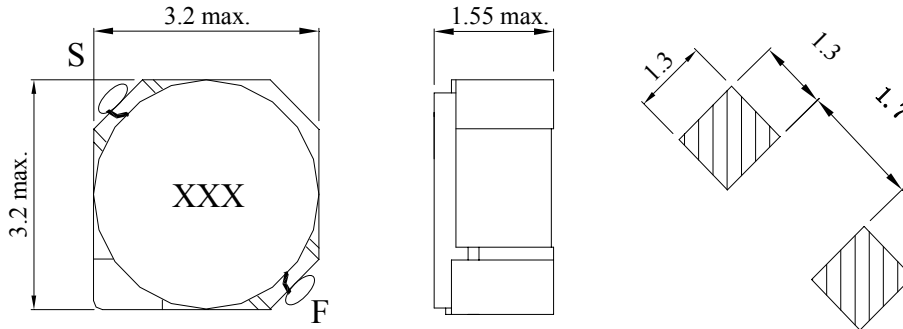




【SDRH2D14-SERIES】

DIMENSIONS & RECOMMENDED PATTERN

Land Pattern



Unit: mm

※ FEATURES

- Applications : DC to DC converter of portable equipment, camcorder, LCD television set, digital camera, P.D.A., notebook

SELECTION GUIDE FOR STANDARD COILS

SDE Part Number	Inductance	Tolerance	DC Resistance	Inductance Decrease Current
	(μ H)	(%)	(Ω) Max	(A) Max
SDRH2D14 - R47N	0.47	$\pm 30\%$	0.04	2.00
SDRH2D14 - 1R5N	1.5	$\pm 30\%$	0.063	1.80
SDRH2D14 - 1R8N	1.8	$\pm 30\%$	0.075	1.65
SDRH2D14 - 2R2N	2.2	$\pm 30\%$	0.094	1.50
SDRH2D14 - 2R7N	2.7	$\pm 30\%$	0.106	1.35
SDRH2D14 - 3R3N	3.3	$\pm 30\%$	0.125	1.20
SDRH2D14 - 3R9N	3.9	$\pm 30\%$	0.138	1.10
SDRH2D14 - 4R1N	4.1	$\pm 30\%$	0.169	1.00
SDRH2D14 - 4R7N	4.7	$\pm 30\%$	0.169	1.00
SDRH2D14 - 5R6N	5.6	$\pm 30\%$	0.188	0.95
SDRH2D14 - 6R8N	6.8	$\pm 30\%$	0.213	0.85
SDRH2D14 - 8R2N	8.2	$\pm 30\%$	0.281	0.80
SDRH2D14 - 100N	10.0	$\pm 30\%$	0.294	0.70
SDRH2D14 - 120N	12.0	$\pm 30\%$	0.394	0.62

※ GENERAL SPECIFICATION:

- Inductance drop =35% typ. at IDC.
- $\Delta T=30^{\circ}\text{C}$ rise at IDC.
- Operating Temperature : $-40^{\circ}\text{C} \sim +85^{\circ}\text{C}$
- Test Freq. : 100KHz / 0.1V.

